

Heliport Approach Flashing Light

AH-HP/L



An approach lighting system should be provided at a heliport where it is desirable and practicable to indicate a preferred approach direction, and located in a straight line along the preferred direction of approach.



Compliance

- ICAO Annex 14 Volume II Heliports 5.3.3
- FAA AC 150/5390-2B Heliport Design Guide
- CAP 437

Features

Electrical

- LED as light source saving power consumption and maintenance, 95% less power than equivalent incandescent light
- Power supply available in AC(110-240VAC), DC48V

Physical

- Unique designed polycarbonate lens for converging light and also provides corrosion resistance and UV protection.
- UV protection Powder coated bright yellow color base make better visibility
- Base material is die casting aluminum which has strong corrosion resistance, Shock and Vibrations protection
- Fragile coupling reduce the secondary damage to helicopters effectively

Optional

- Infrared LED for pilot using NVG(Night Vision Goggles)
- Controller for power supplying and turn ON/OFF light
- VHF pilot to ground remote control
- Marine treated

Application

- Helipad/Heliport TLOF areas
- Heliport FATO ares
- Helipad Runway
- Helipad taxiway



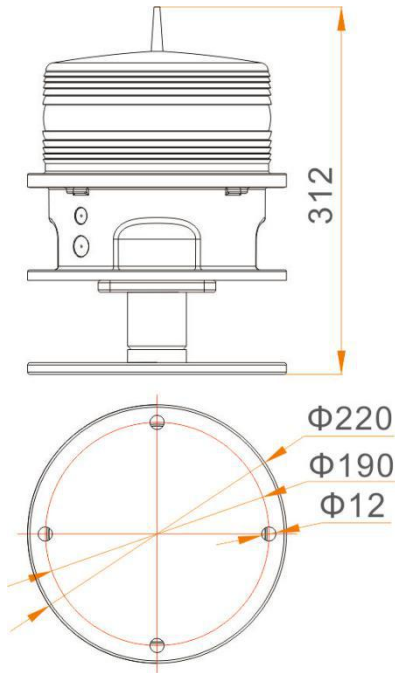
APPLICATION



Heliport Approach Flashing Light

AH-HP/L

Dimension



SPECIFICATIONS

AH-HP/L Heliport Approach Flashing Light

Light Characteristics

Light Source	LED
Available Colors	White(Other color is optional)
Intensity(cd)	≥3500cd
Horizontal Output(degrees)	360
Vertical Divergence(degrees)	≥15
Flash Characteristics	Flashing 1 time/second
Operation Mode	24hours operation
LED Life Experience(hours)	>100,000

Electrical Characteristics

Operating Voltage	DC(12-48VDC) or AC(110-240VAC)
Power(W)	10
Circuit Protection	Integrated

Physical Characteristics

Body Material	UV protected Polycarbonate
Base Material	Powder-coated Die-casting aluminum
Mounting	190×190×612
Dimension(mm)	220×220×312
Weight(kg)	3
Base	Frangible coupling
Product Life Expectancy	Average 5 years

Environmental Factors

Ambient Temperature(°C)	-55~70
Humidity	10~90%
Wind Speed	80m/s
Waterproof	IP66

Compliance

ICAO	ICAO Annex 14 Volume II Heliports 5.3.3
FAA	FAA AC 150/5390-2B Heliport Design Guide

Options Available

Infrared LED compatible for NVG (Night Vision Goggles)
Marine Treated
Power coated color
VHF Pilot to Ground Remote Control